

*Since 1968*

**COMMAX**  
SmartHome & Security

# User Manual

DOOR STATION DP-3HP



[www.commax.com](http://www.commax.com)

COMMAX Co.,Ltd



- Thank you for purchasing COMMAX products.
- Please carefully read this User's Guide (in particular, precautions for safety) before using a product and follow instructions to use a product exactly.
- The company is not responsible for any safety accidents caused by abnormal operation of the product.



## Contents

1. Introduction .....	3
2. Important Safeguards .....	4
3. Part name and Function .....	5
4. General Function .....	6
5. Installation .....	7
6. Wiring Diagram .....	8
7. Component Parts .....	9
6. Specification .....	10



## 1. Introduction

Your unit is designed so it can be flush mounted on the or used. When flush mounted on the wall, the stand permits you to the unit for an gular of unit view. The model number is located on the bottom and record the serial number in the space provided below(available). Refer to these numbers whenever you call upon your COMMAX dealer regarding this product.

Model No.

Serial No.

**To prevent fire or shock hazard, do not expose the unit to rain or moisture.**



This symbol is intended to alert the use to the presence of uninsulated **"dangerous Voltage"** within the product' s enclose that may be of sufficient magnitude to constitute a risk of electric shock to persons.



This symbol is intended to alert the use to the presence of important operating and maintenance(servicing) instructions in the literature accompanying the appliance



**caution**

Rosk of electric shock  
do not open



**CAUTION:** To reduce the risk of electrix shick, do not remove cover(or back) no user-serviceable part sinside refer servicing to quared service personnel

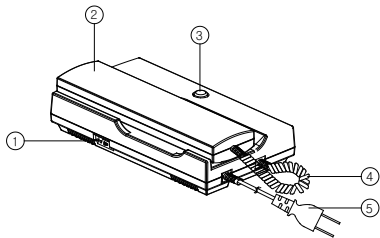


## 2. Important Safeguards

- ▲ **Damage Requiring Service:** This equipment from the power source and source and refer servicing to qualified service personnel under the following conditions:
  - Ⓐ when the power is damaged.
  - Ⓑ if liquid has been spilled or objects have fallen into the unit
  - Ⓒ if the equipment has been exposed to rain or water.
  - Ⓓ if the equipment has been dropped or otherwise damaged.
  - Ⓔ when the equipment exhibits a distinct change in performance- this indicates a need for service.
- ▲ **Water and Moisture:** Do not use this product near water, for example, near a bath tub, wash bowl, kitchen sink, or laundry tub, in a wet basement, or near a swimming pool, and the like.
- ▲ **Accessories:** The product may fall, causing serious injury to a child or adult, and serious damage to the appliance. Any mounting of the manufacturer's instructions, and should use a mounting accessory recommended by the manufacturer.
- ▲ **Object and Liquid Entry:** Never push objects of any kind into this product through openings as they may touch dangerous voltage points or short-out parts that could result in a fire or electric shock. Never spill liquid of any kind on the product.
- ▲ **Lightning:** For added protection for this product before a lightning storm, or when it is left unattached and unused for long periods of time, unplug it from the wall outlet and disconnect the other system. This will prevent damage to the product due to lightning and power-line surges. If you live in an area heavily prone to lightning storms, it is recommended that you invest in power-line, telephone-line, RF cable and actuator/ polarization surge protectors to protect your appliance system from possible damage



### 3. Part name and Function



No.	Part name
①	Volume Controller
②	Handset
③	Door release button
④	S-cord
⑤	Power Cord



## 4. General Function

- For installation of DR-3HP, separate power supply should be required to DRC-nAC/nAB and DR-3Q is available only for individual door.

### 1. Call of visitor

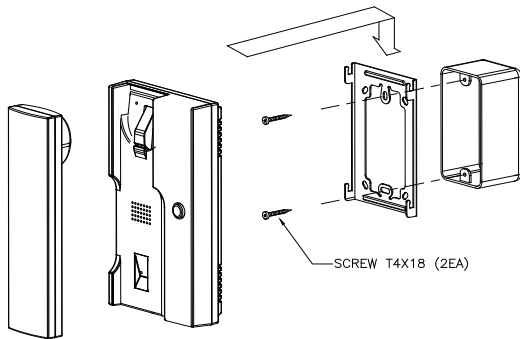
- CASE 1 : 1 Outdoor unit
  - Call a DP-3HP from common entrance
    - a) Ring a chime sound.
    - b) Pick up a handset to talk.
    - c) While on the phone, press do or release button to open the door.
    - d) Leave the handset to end the talk.
- CASE 2 : 2 Outdoor unit
  - Call a DP-3HP from common entrance (Outdoor unit 1)
    - a) Ring a chime sound.
    - b) Pick up a handset to talk.
    - c) While on the phone, press door release button to open the door.
    - d) Leave the handset to end the talk.
  - Call a DP-3HP from common entrance (Outdoor unit 2)
    - a) Ring a chime sound.
    - b) Pick up a handset to talk.
    - c) While on the phone, press door release button to open the door.
    - d) Leave the handset to end the talk.



## 5. Installation

### \* Caution

- Please avoid direct ray of sun light to install this unit.
- 1450~1500㎜ is right height from the floor.
- Please avoid the place where being affected by gas, magnetic source and humid.



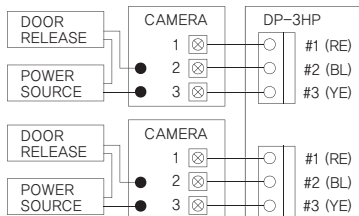


## 6. Wiring Diagram

\* Camera connect in polarity

1. RED : VOICE
2. BLUE : GND
3. YELLOW : POWER (+12V)

- Diagram



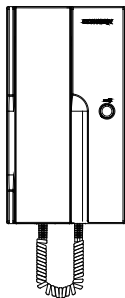
\* Warning

1. In case of installation around the area where pass the high-voltage line, please use metal tube with coaxial cable.
2. Any malfunction or abnormal operation shall be caused by scar or peel off the wire.

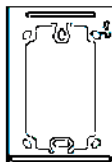




## 7. Component Parts



BODY



Wall Braket



T4 x 18  
Screw



User Manual



Connector



## 6. Specification

MODEL	DP-3HP
Power Voltage	AC220~, 50/60Hz
Power Consumption	MAX : 4 W (220V/60Hz)
Transmission	To Outdoor unit : 3 wires (Polarity)
Communication Method	Handset
Sound	From Outdoor unit : Electronic Chime
Time	60 ± 20 sec
Distance	28m(Ø0.5) / 50m(Ø0.65) / 70m(Ø0.8)
Operating Temperature	0 ~ +40°C (32°F ~ 104°F)
Weight	0.55 kg
Dimension	107(W) x 195(H) x 52(D)mm

**COMMAX**

**COMMAX Co.,Ltd.**

513-11, Sangdaewon-dong, Jungwon-gu, Seongnam-si, Gyeonggi-do, Korea  
Int'l Business Dept. : Tel.; +82-31-7393-540~550 Fax.; +82-31-745-2133  
Web site : [www.commax.com](http://www.commax.com)

*Printed In Korea / 2011.07.105*